

## AGSS PLANT - BRITISH STANDARD

### DESCRIPTION

Precision UK's CPX AGSS Plant is manufactured under BS EN 13485 Medical Devices: Quality Management Systems. It provides a centralised or dedicated source for the safe removal of exhaled anaesthetic gases from within the theatre, available in simplex and duplex pump configurations dependant on individual requirement.



### SPECIFIC BENEFITS INCLUDE

- CPX® branded solid British design
- Control and highly visible indication panel
- All interconnecting pipework is included
- Copper stubbed outlet and inlet pipework for ease of connecting to MGPS
- Anti-vibration mounts on all pumps
- Isolator to each pump unit as standard
- Alarm and BMS outputs for remote status indication
- Pre-set vacuum relief valve and low pressure sensors
- Low voltage (24V) remote switches
- Visible condensate drain flask fitted to exhaust
- Easy to install 4 wire + earth remote switch wiring
- All settings are factory set and verified with certificates of inspection
- Each plant has a full warranty of 12 months from its commission date



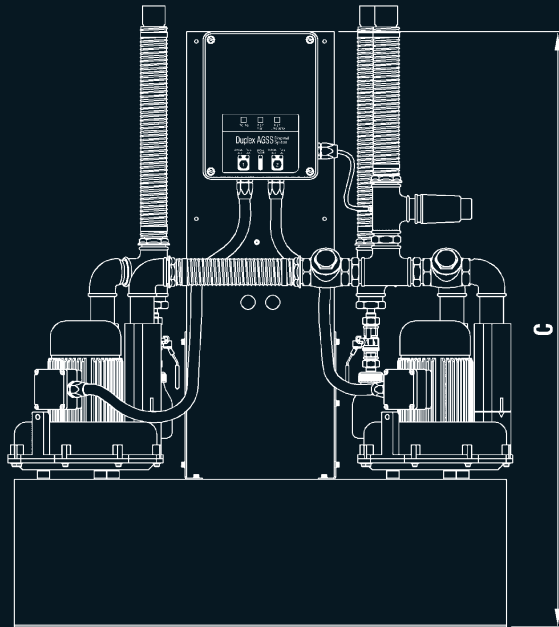
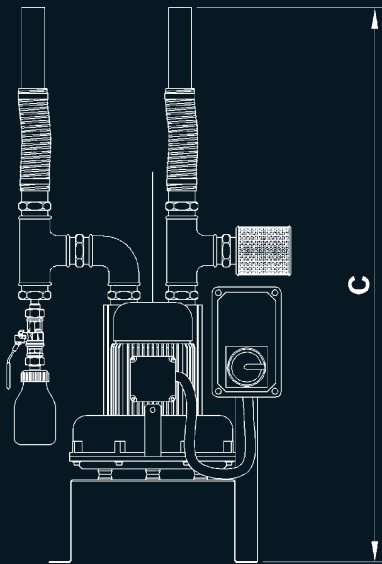
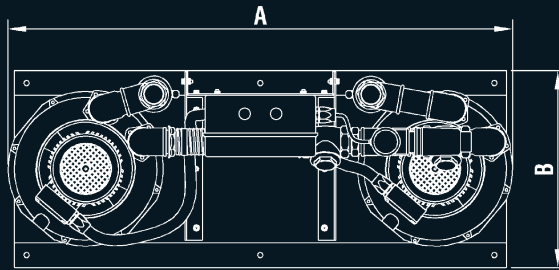
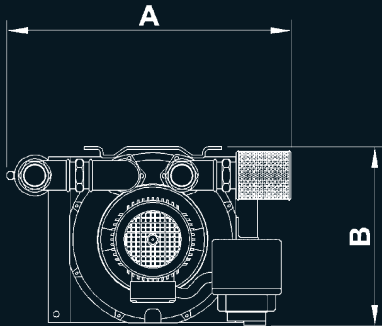
### DESIGNED TO MEET THE REQUIREMENTS OF

- HTM 02-01: Medical Gas Pipeline Systems
- C11 NHS: Model Engineering Specification – Medical Gases
- BS EN 6834: Specification for Active Anaesthetic Gas Scavenging Systems
- ISO 7396-2: Anaesthetic Gas Scavenging Disposal Systems



# AGSS PLANT - BRITISH STANDARD

## SIMPLEX AND DUPLEX MODELS



Simplex AGSS Plant												
Product Code:	Plant size	Dim A	Dim B	Dim C	Outlet qty	kW	Start type	Start (A)	Run (A)	Fuse (A)	Noise	Weight
AGSS-S-520	520 l/min	500 mm	450 mm	1000 mm	4	1 x 0.75	D.O.L.	11.16	1.86	6	64 dB(A)	35 kg
AGSS-S-1050	1050 l/min	550 mm	450 mm	1000 mm	8	1 x 1.75	D.O.L.	24	4	10	70 dB(A)	50 kg
AGSS-S-2500	2500 l/min	550 mm	450 mm	1000 mm	16	1 x 2.2	D.O.L.	33	5.5	10	72 dB(A)	65 kg

To order an AGSS Simplex Remote Switch use product code: AGSS-S-REMOTE

Duplex AGSS Plant												
Product Code:	Plant size	Dim A	Dim B	Dim C	Outlet qty	kW	Start type	Start (A)	Run (A)	Fuse (A)	Noise	Weight
AGSS-D-520	520 l/min	1050 mm	400 mm	1200 mm	4	2 x 0.75	D.O.L.	11.16	1.86	6	64 dB(A)	90 kg
AGSS-D-1050	1050 l/min	1100 mm	400 mm	1200 mm	8	2 x 1.75	D.O.L.	24	4	10	70 dB(A)	120 kg
AGSS-D-2500	2500 l/min	1100 mm	400 mm	1200 mm	16	2 x 2.2	D.O.L.	33	5.5	10	72 dB(A)	150 kg

To order an AGSS Duplex Remote Switch use product code: AGSS-D-REMOTE

## Service and Maintenance

Throughout the UK and worldwide our approved team of service and maintenance engineers provide immediate technical support.